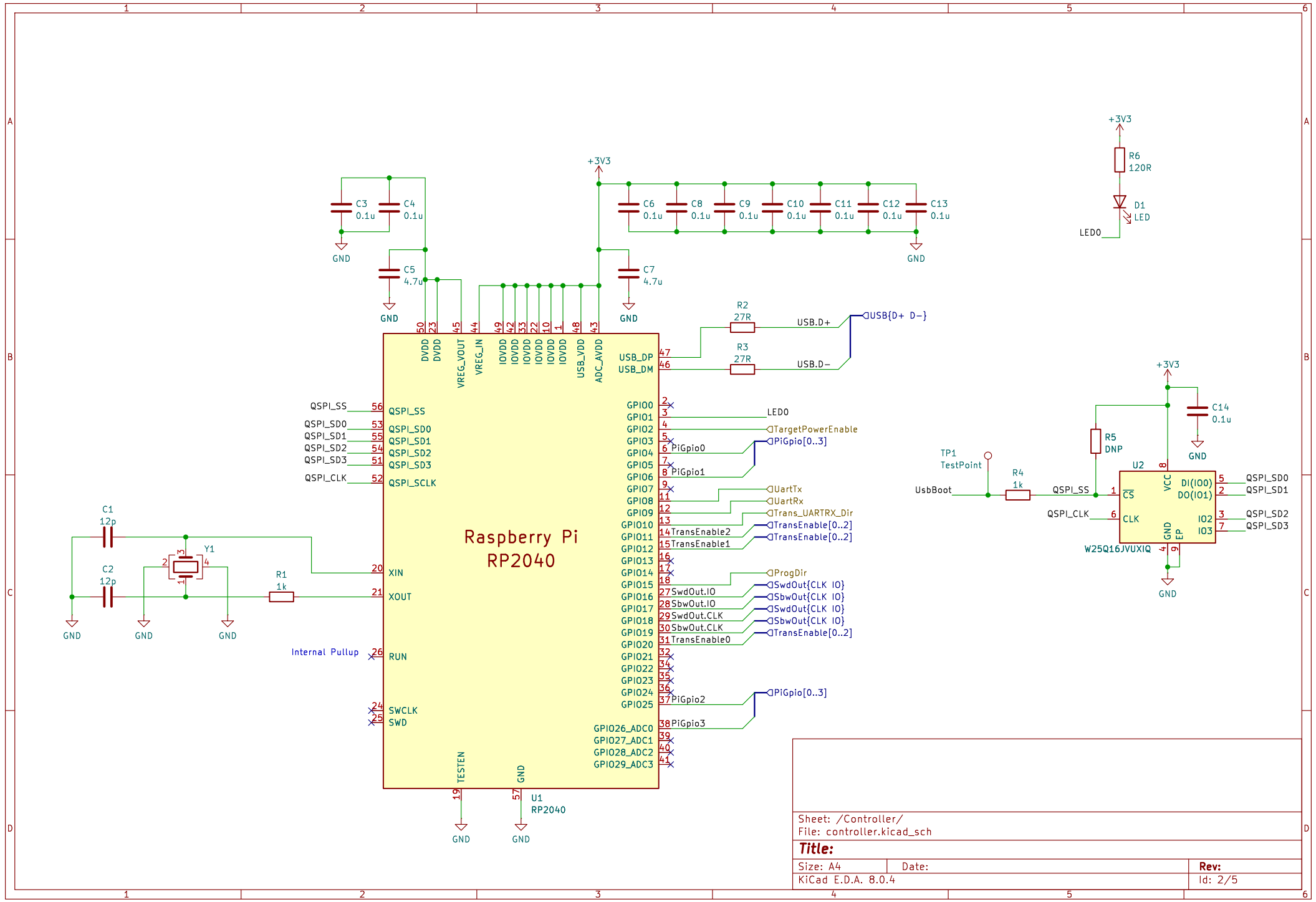
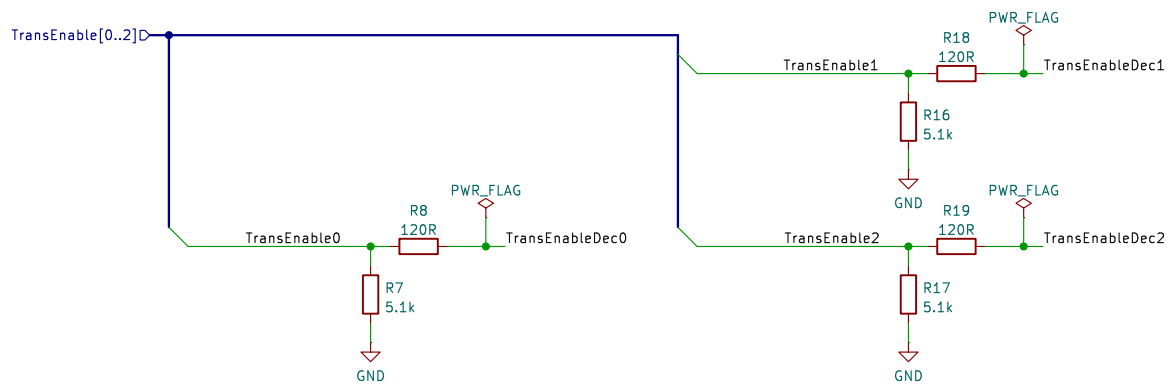
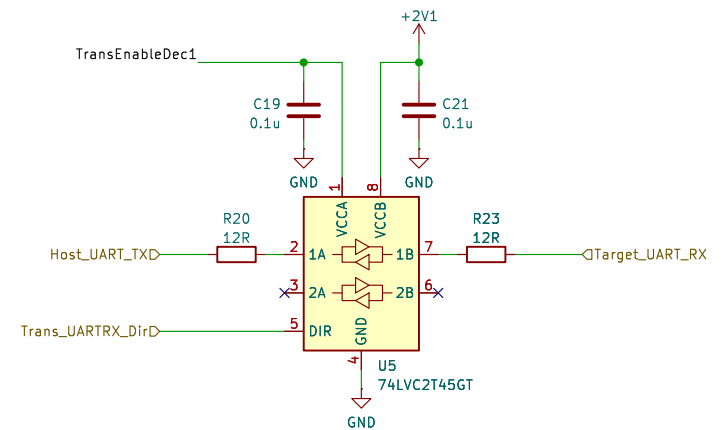
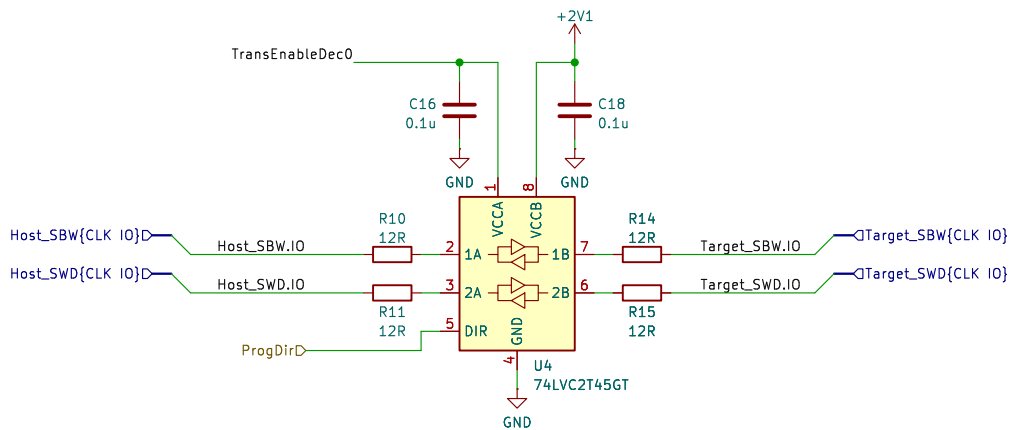
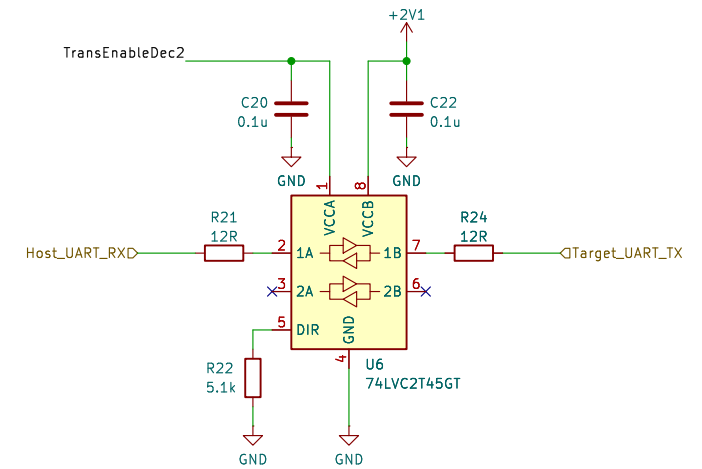
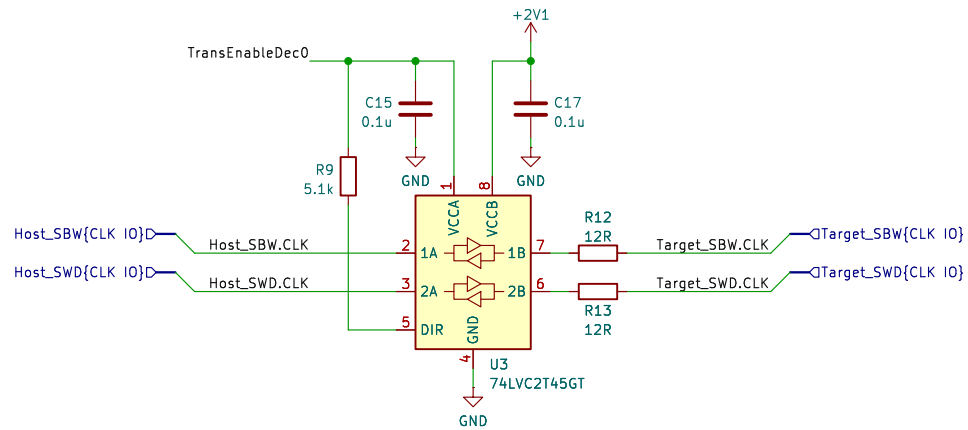


Sheet: /		
File: riotee-probe.kicad_sch		
<b>Title:</b>		
Size: A4	Date:	Rev:
KiCad E.D.A. 8.0.4		Id: 1/5



Sheet: /Controller/		Date:	
File: controller.kicad_sch		Rev:	
Size: A4	KiCad E.D.A. 8.0.4		Id: 2/5

**Title:**



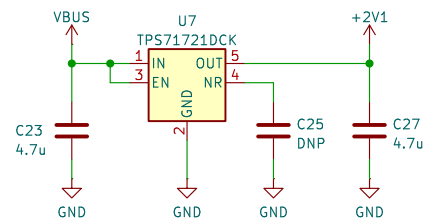
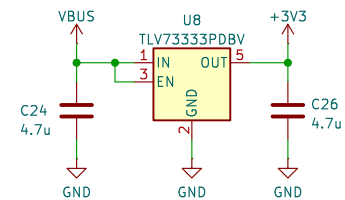
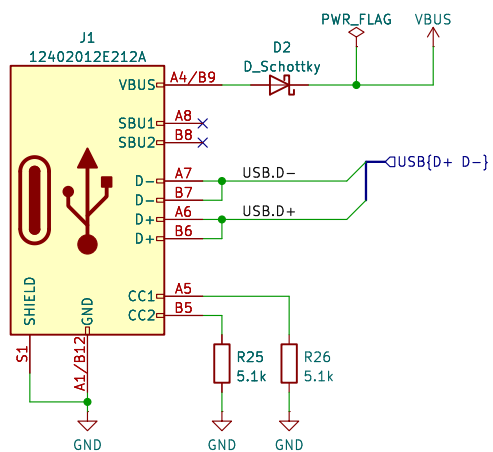
Sheet: /LevelShifter/  
File: level\_shifter.kicad\_sch

**Title:**

Size: A4  
KiCad E.D.A. 8.0.4

Date:

**Rev:**  
Id: 3/5



Sheet: /USB and power/  
 File: usb\_power.kicad\_sch

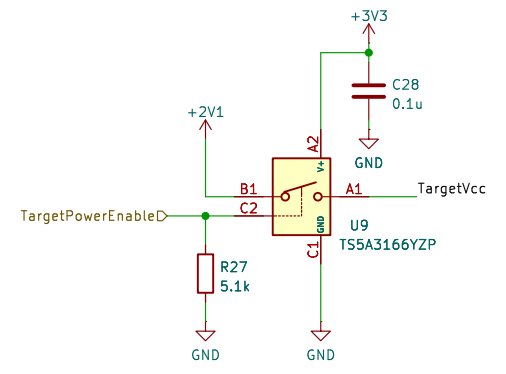
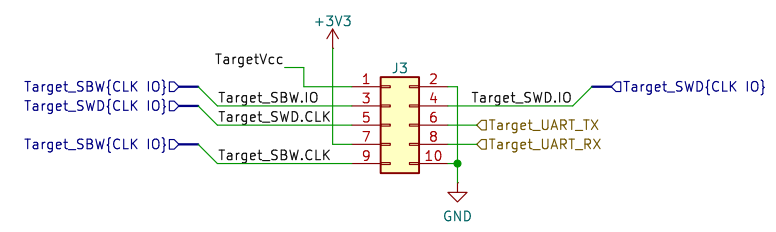
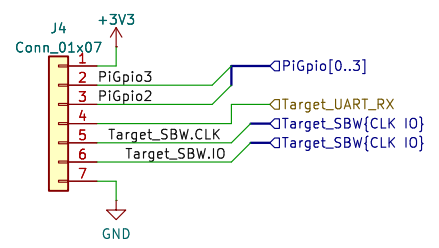
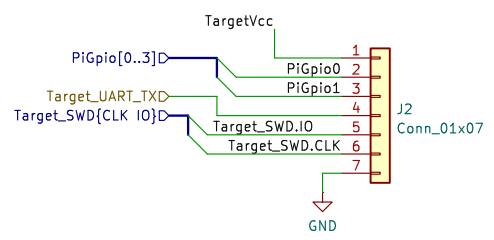
**Title:**

Size: A4 Date:

KiCad E.D.A. 8.0.4

**Rev:**

Id: 4/5



Sheet: /Connectors/		Date:	
File: connectors.kicad_sch		Rev:	
Size: A4	KiCad E.D.A. 8.0.4	Id: 5/5	