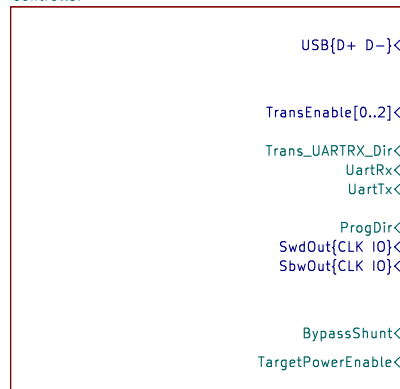


USB and power



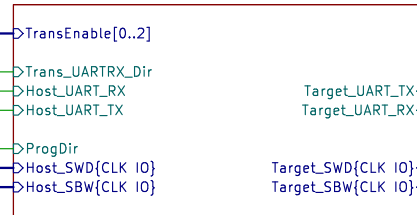
File: usb_power.kicad_sch

Controller



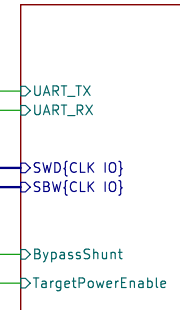
File: controller.kicad_sch

LevelShifter



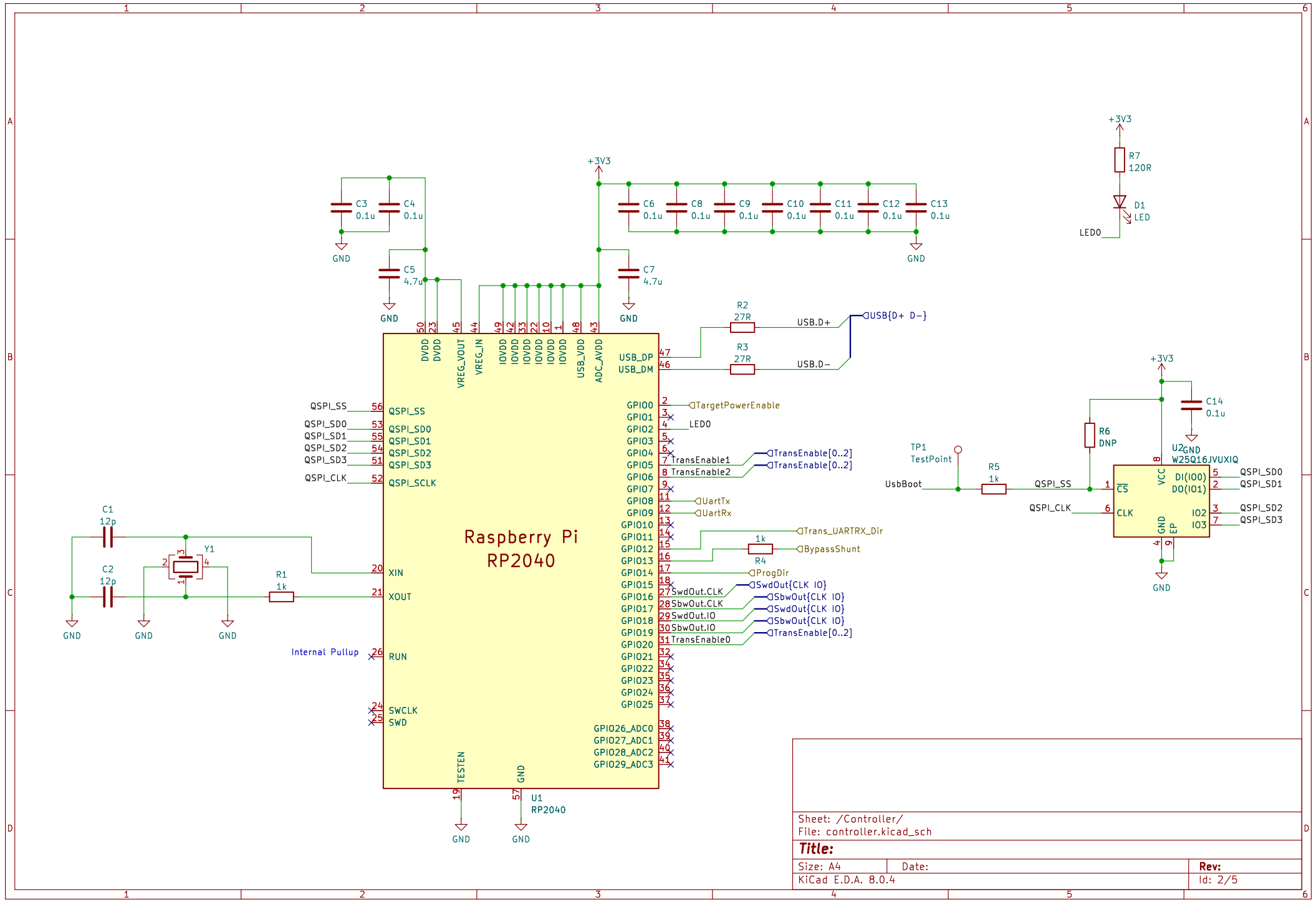
File: level_shifter.kicad_sch

Riotee Module

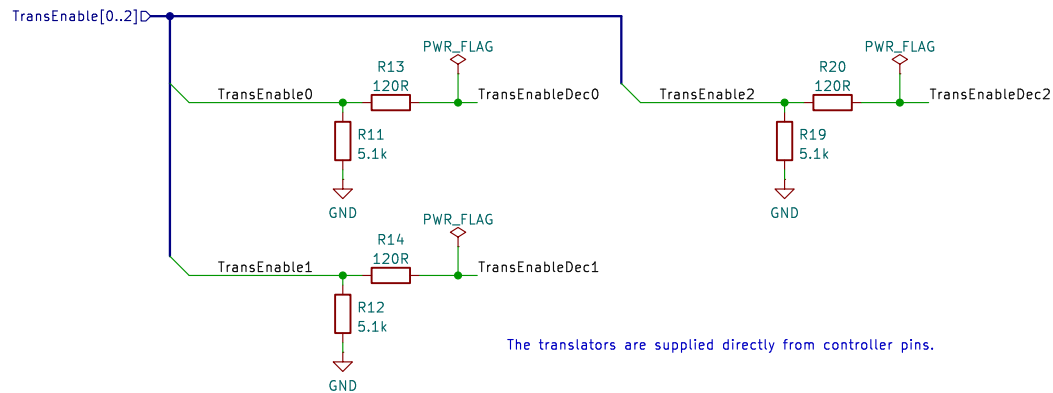
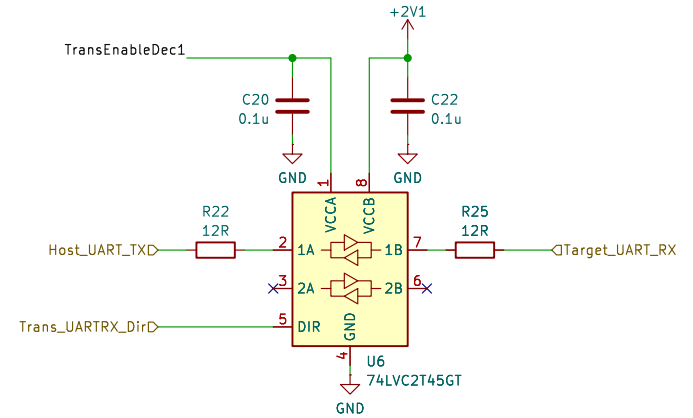
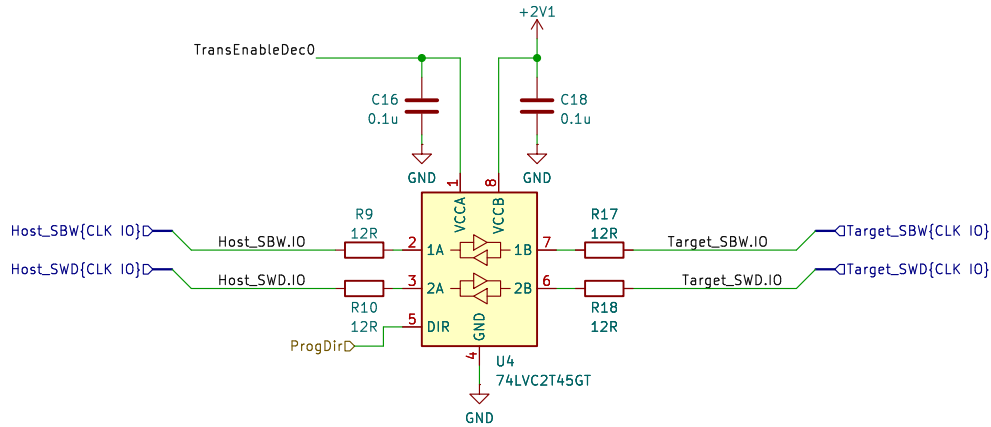
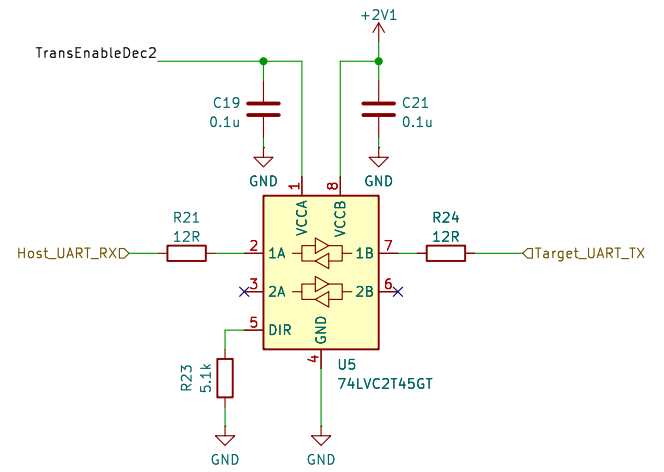
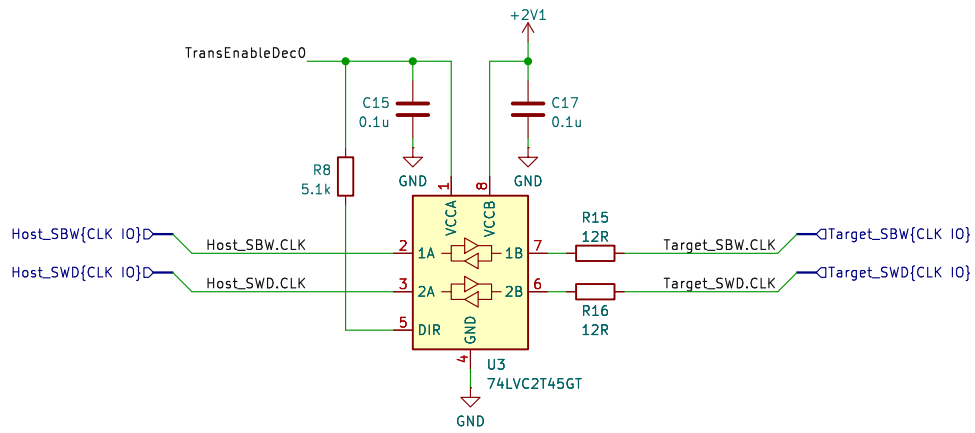


File: module.kicad_sch

Sheet: /		
File: riotee-board.kicad_sch		
Title:		
Size: A4	Date:	Rev:
KiCad E.D.A. 8.0.4		Id: 1/5



Sheet: /Controller/		Date:	
File: controller.kicad_sch		Rev:	
Size: A4	KiCad E.D.A. 8.0.4		Id: 2/5



The translators are supplied directly from controller pins.

Sheet: /LevelShifter/
File: level_shifter.kicad_sch

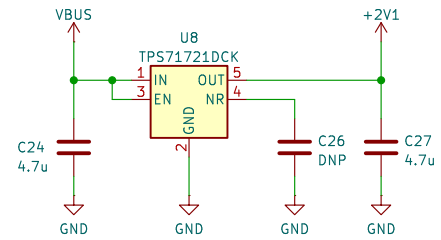
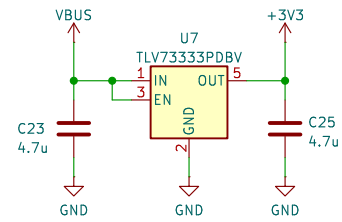
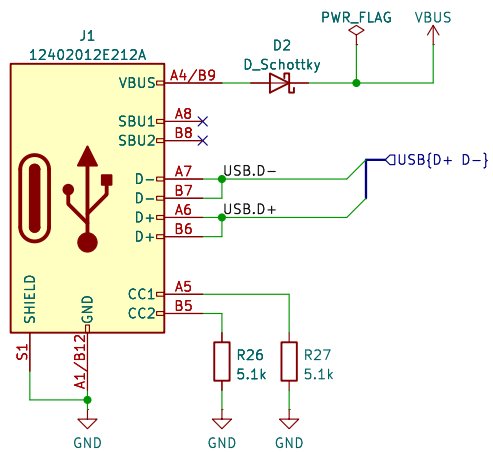
Title:

Size: A4 Date:

KiCad E.D.A. 8.0.4

Rev:

Id: 3/5



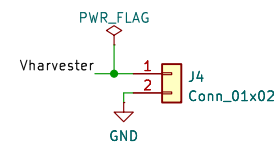
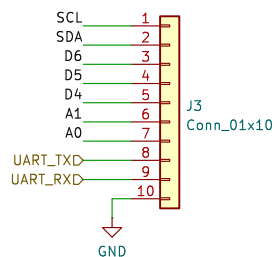
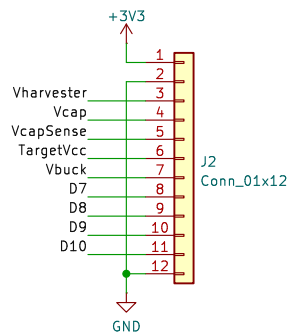
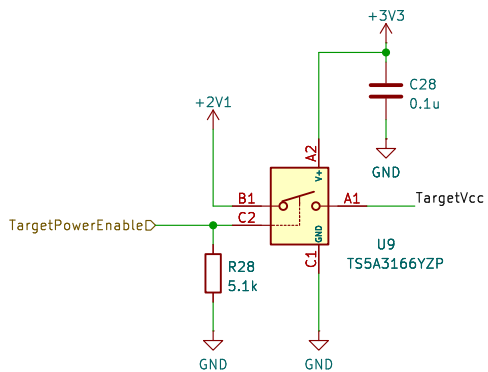
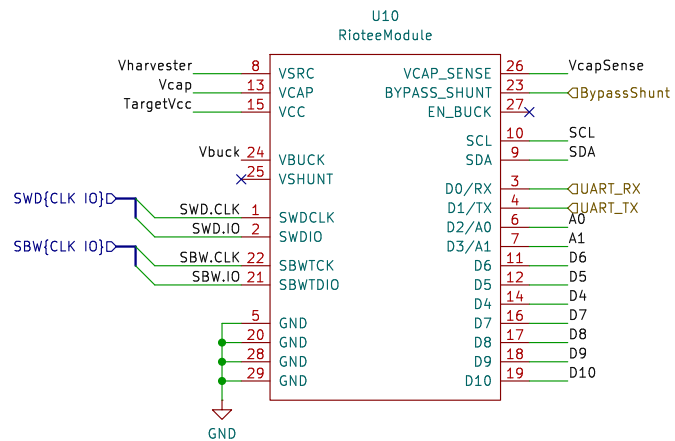
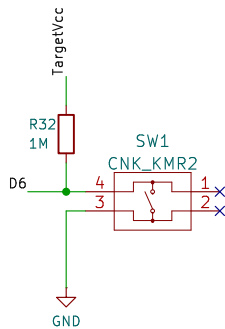
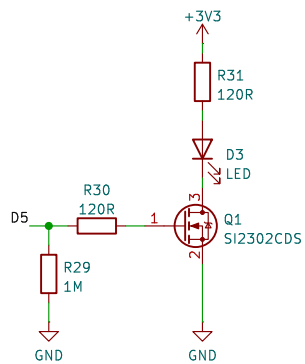
Sheet: /USB and power/
File: usb_power.kicad_sch

Title:

Size: A4
KiCad E.D.A. 8.0.4

Date:

Rev:
Id: 4/5



Sheet: /Riotee Module/
File: module.kicad_sch

Title:

Size: A4

Date:

KiCad E.D.A. 8.0.4

Rev:

Id: 5/5